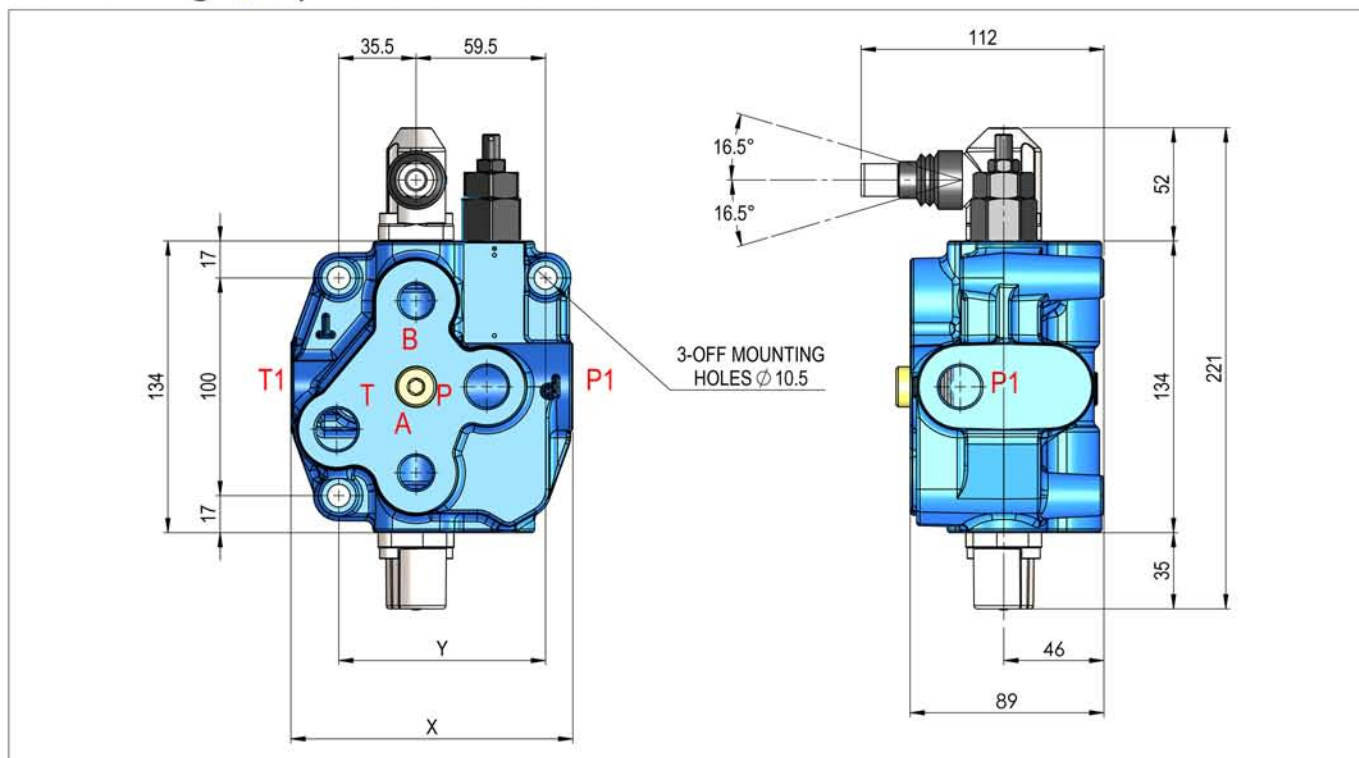
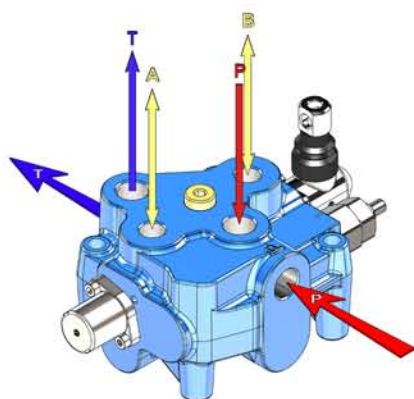


# MONOBLOCK VALVES

## MSB-3 Range / Optional Service Port Relief Valve



Part No	X (mm)	Y (mm)	Inlet P	A & B	Outlet T & C
MSB3/1	129.5	95	1/2 BSP	3/8 BSP	1/2 BSP
MSB3/2	165.5	201.5	1/2 BSP	3/8 BSP	1/2 BSP
MSB3/3	201.5	167	1/2 BSP	3/8 BSP	1/2 BSP
MSB3/4	237.5	239	1/2 BSP	3/8 BSP	1/2 BSP
MSB3/5	273.5	239	1/2 BSP	3/8 BSP	1/2 BSP
MSB3/6	309.5	275	1/2 BSP	3/8 BSP	1/2 BSP



### Note!

When using the pressure carry over facility you must install the plug provided inside the carry over port and the tank port must also be connected as normal.

Nominal Flow Rate		70 L/min
Operating Pressure (Max)	Parallel or tandem circuit	315 bar
Back Pressure (Max)	On outlet port T	10 bar
Fluid Temp Range	With NBR (BUNA-N) seals	From -20°C to 80°C
Viscosity	Min	12 cst
	Max	400 cst
Ambient Temp Range		From -40°C to 60°C